

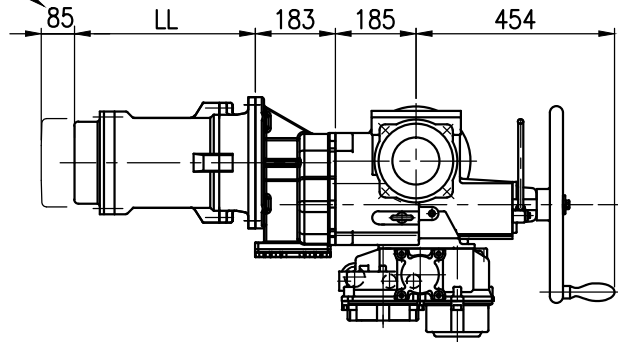
DRAWING HISTORY

SYM	DATE	DESCRIPTION	DSGND.	CHKD.	APRD.
△					
△					
△					

Motor overhaul space

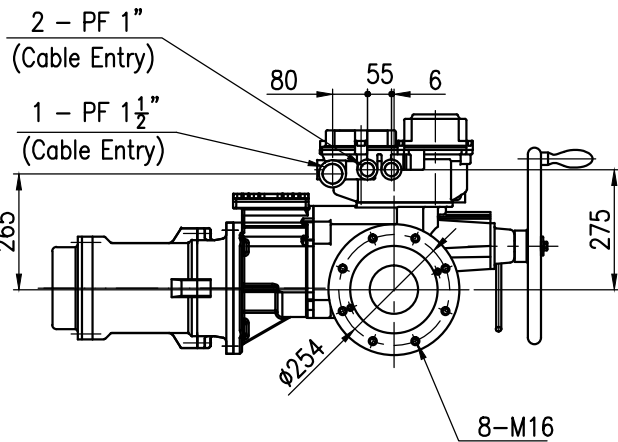
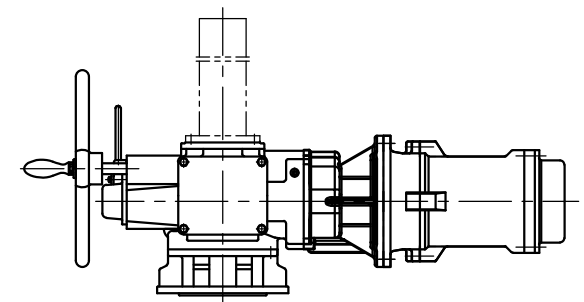
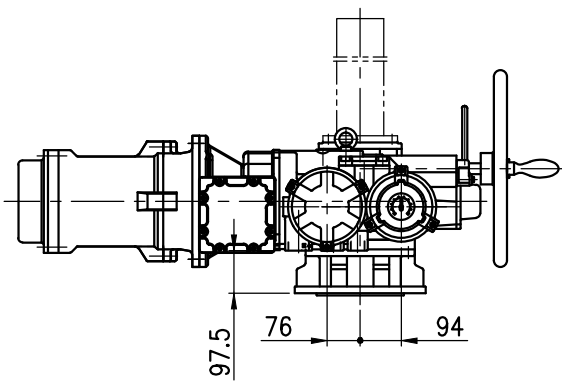
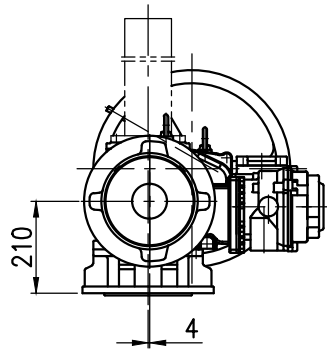
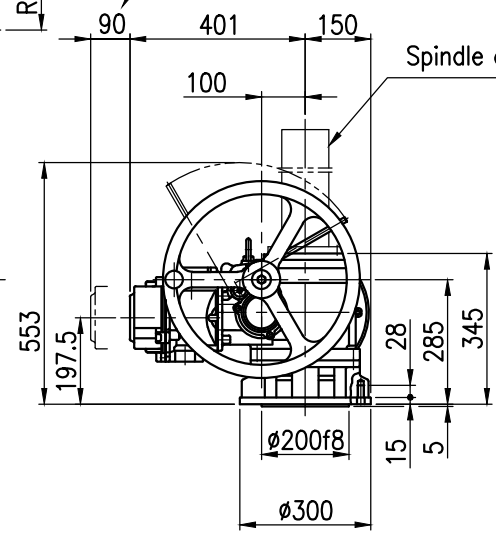
Output	LL
5.5 kW	424

Max. Stem Dia.	
Bore and Key	Threaded
ø80	ø95



Switch cover overhaul space

Spindle cover (Option)



COMPUTER FILE: TM-1 (BASIC, BRAKE)	NO.	PART NAME	MAT'L	Q'TY	SPEC.	REMARK
UNLESS OTHERWISE SPECIFIED DIMENSIONS	DATE	2015. 09. 15.	DWG TITLE (BASIC TYPE, BRAKE) TM-1 LAYOUT DRAWING			
DIVISION	TOLERANCES (mm)	DRWN.	MAT. CODE NO.		DWG NO.	REV. NO.
0.5 ~ 6	± 0.9	C. E. Jung			3897370B-B1B	△
6 ~ 30	± 2.5	CHKD.	SCALE		SHEET NO.	1 OF 1
30 ~ 120	± 4.5	C. W. Lee	1	12		
120 ~ 315	± 6.0	APRD.	Y. D. Park			
315 ~ 1000	± 11.0		enerotrk			