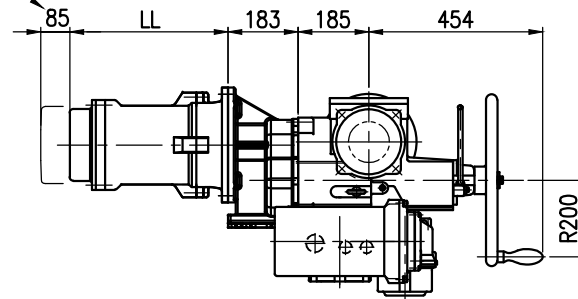


DRAWING HISTORY

SYM	DATE	DESCRIPTION	DSGND.	CHKD.	APRD.
△					
△					
△					

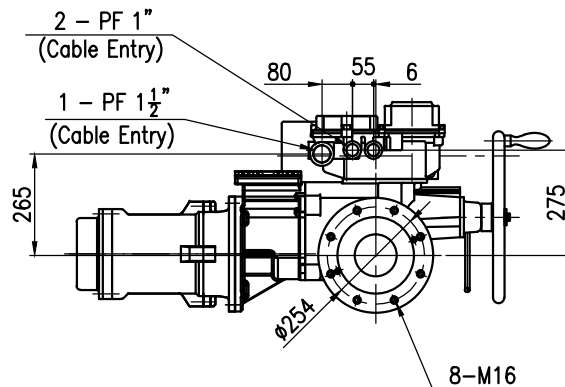
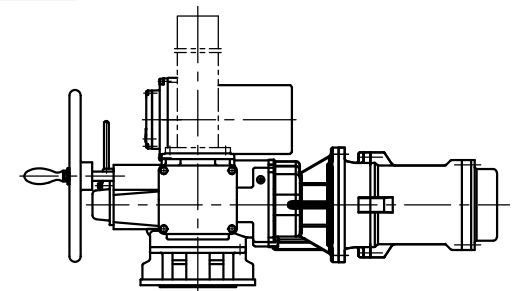
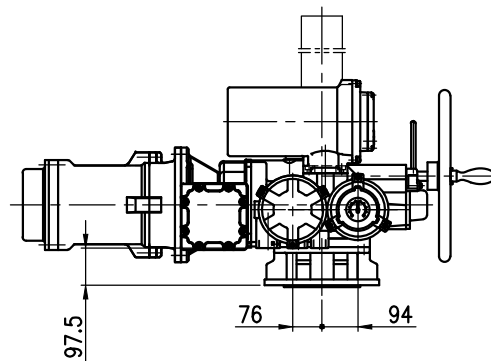
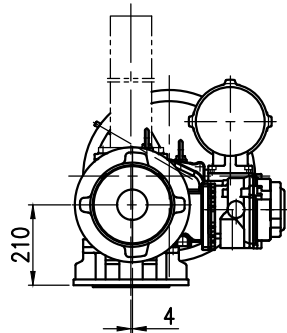
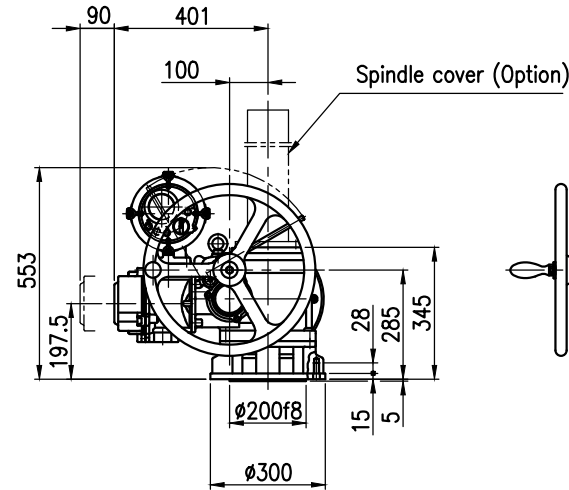
Motor overhaul space



Output	LL
5.5 kW	424

Max. Stem Dia.	
Bore and Key	Threaded
ø80	ø95

Switch cover overhaul space



COMPUTER FILE :
TM-1i(BRAKE)

UNLESS OTHERWISE SPECIFIED DIMENSIONS

DIVISION	TOLERANCES (mm)
0.5 ~ 6	± 0.9
6 ~ 30	± 2.5
30 ~ 120	± 4.5
120 ~ 315	± 6.0
315 ~ 1000	± 11.0

NO.	PART NAME	MAT'L	Q'TY	SPEC.	REMARK
DATE	2015. 09. 15.	DWG TITLE (INTEGRAL TYPE, BRAKE) TM-1i LAYOUT DRAWING			
DRWN.	C. E. Jung	MAT. CODE NO.	DWG NO.	REV. NO.	
CHKD.	C. W. Lee	3897371B-i1B			△
APRD.	Y. D. Park	SCALE	1/12	SHEET NO.	1 OF 1
enerörk					